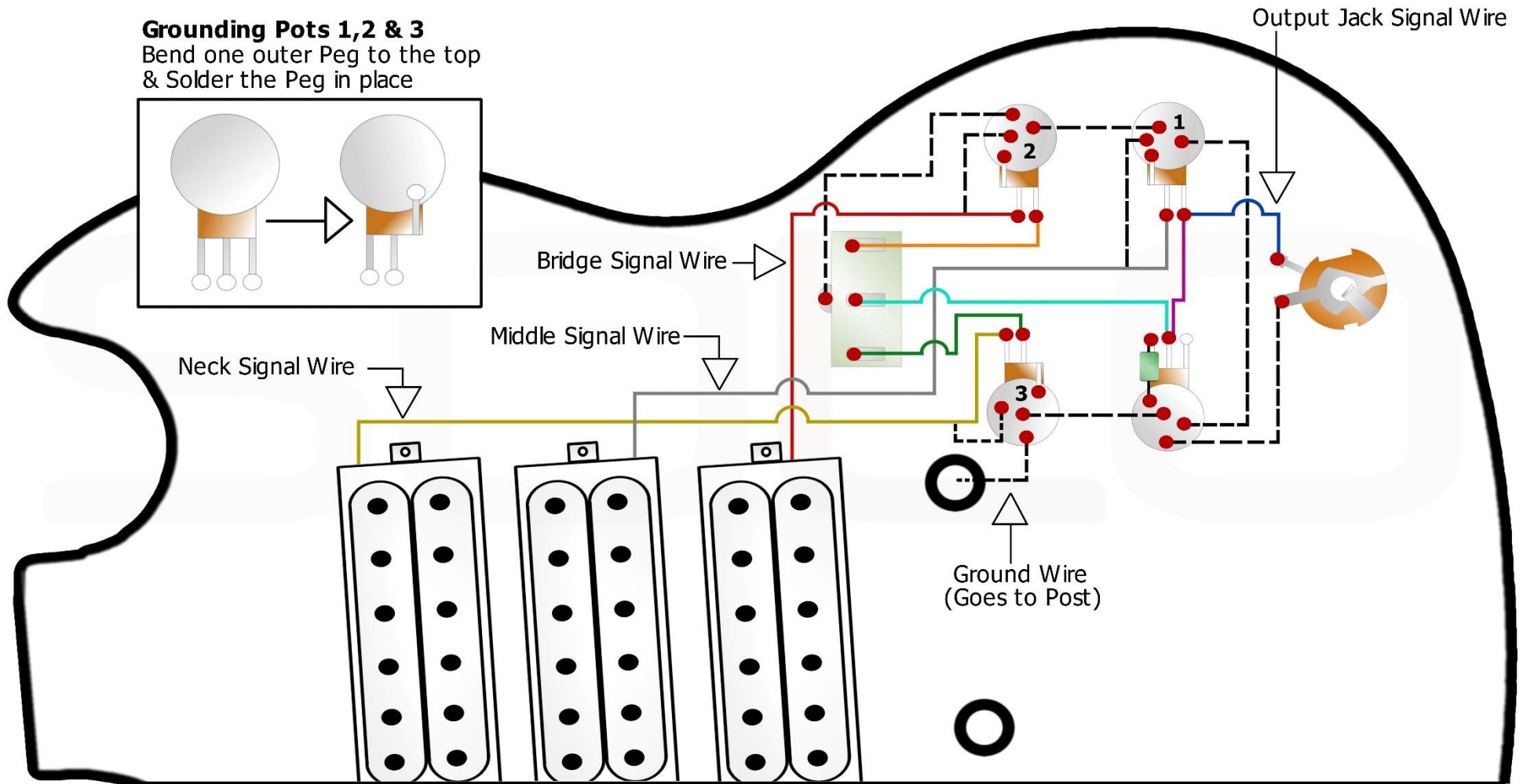
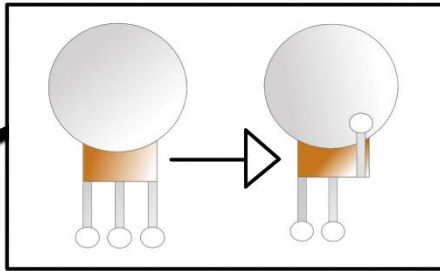


Solo SGK 30 Wiring Diagram

Grounding Pots 1,2 & 3
Bend one outer Peg to the top
& Solder the Peg in place



- Ground wire
- Signal Wire
- Solder Points