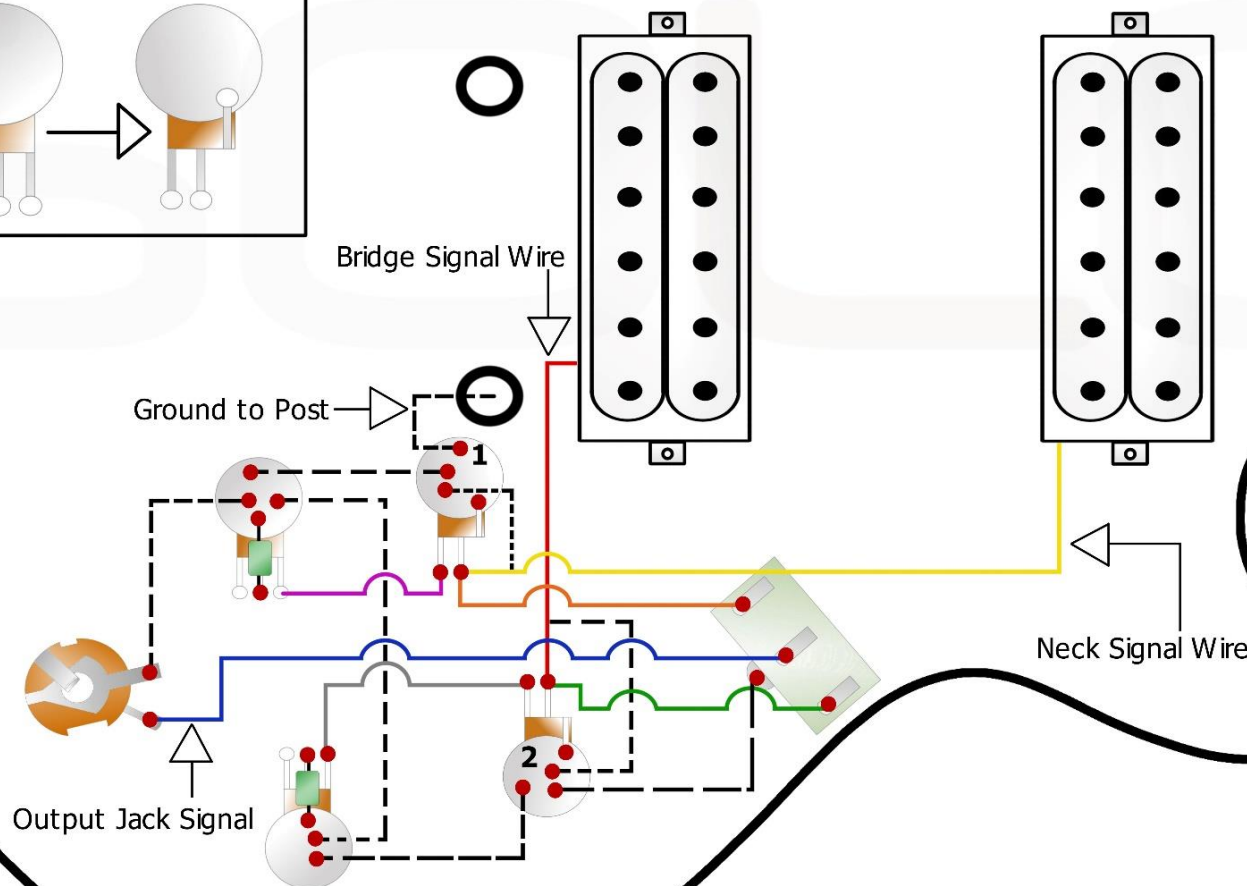
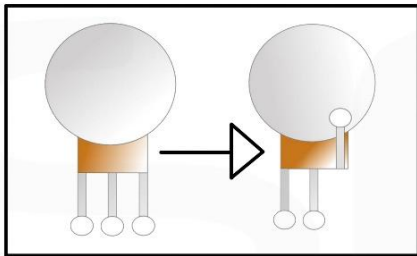


# Solo ESK-35 Wiring Diagram

## Grounding Pots 1,2

Bend one outer Peg to the top & Solder the Peg in place



- Ground wire
- Signal Wire
- Solder Points