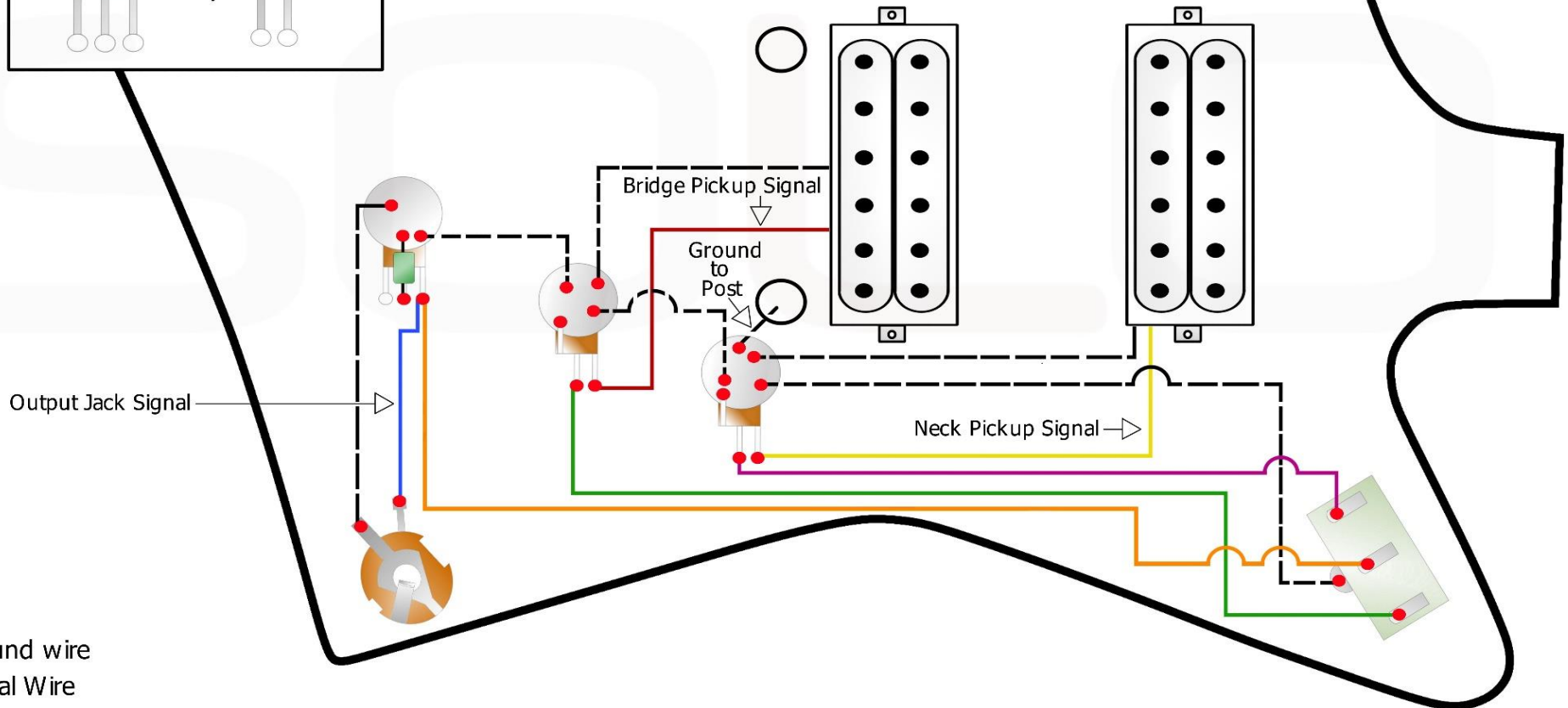
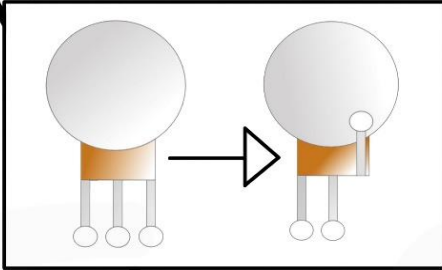


Solo EXK-1 Wiring Diagram

Grounding Pots 1,2

Bend one outer Peg to the top & Solder the Peg in place



----- Ground wire

— Signal Wire

● Solder Points