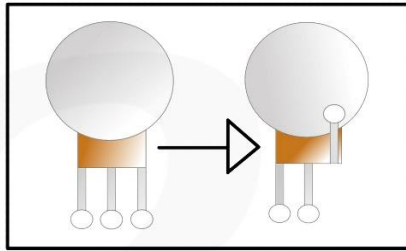


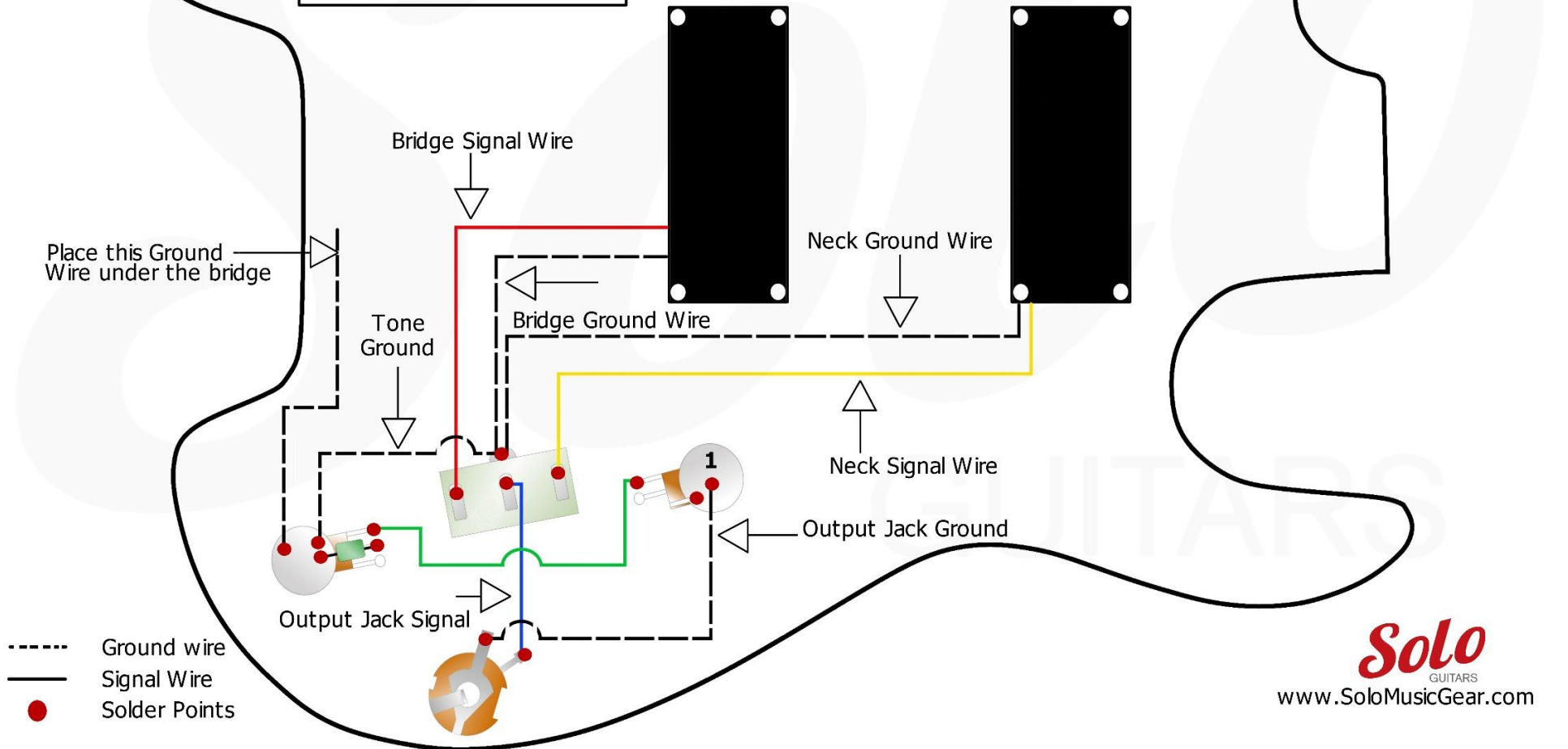
Solo SBBK-10 Wiring Diagram

Grounding Pot 1

Bend one outer Peg to the top & Solder the Peg in place



Place this Ground Wire under the bridge



- Ground wire
- Signal Wire
- Solder Points