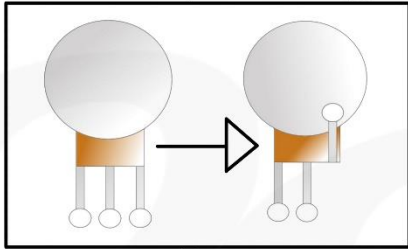
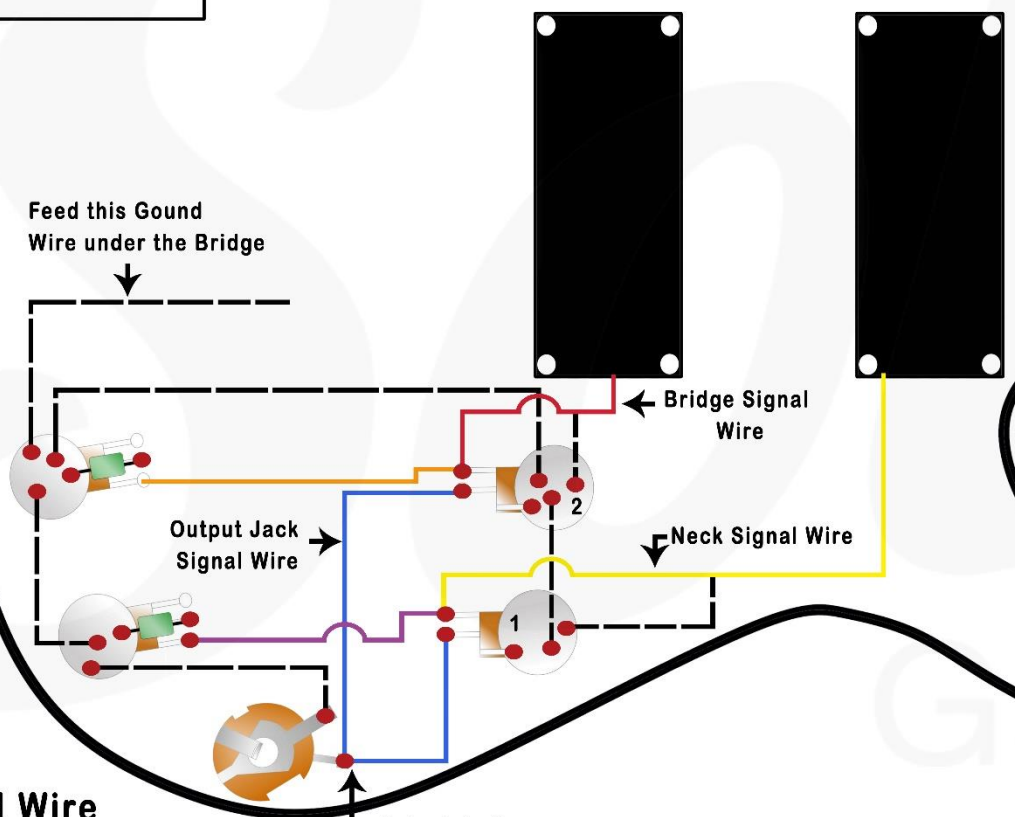


# SOLO SRBK-15 Wiring Diagram

Grounding Pot 1 & 2  
Bend one outer peg to  
the top of the pot. Then  
solder it in place.



Feed this Gound  
Wire under the Bridge



- ■ ■ Ground Wire
- Signal Wire
- Solder Points