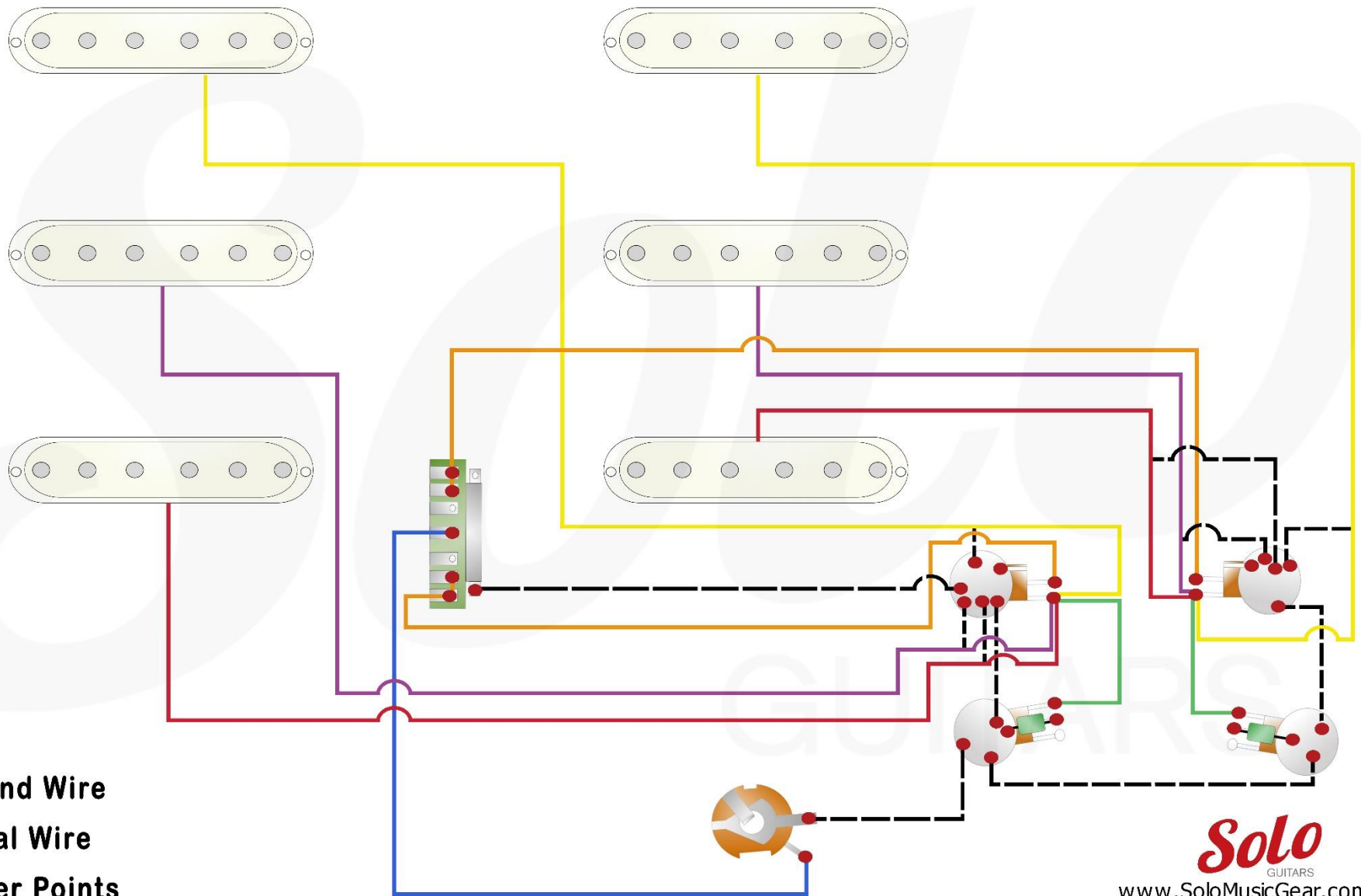


SOLO DSTK-1 Wiring Diagram



- ■ ■ Ground Wire
- Signal Wire
- Solder Points