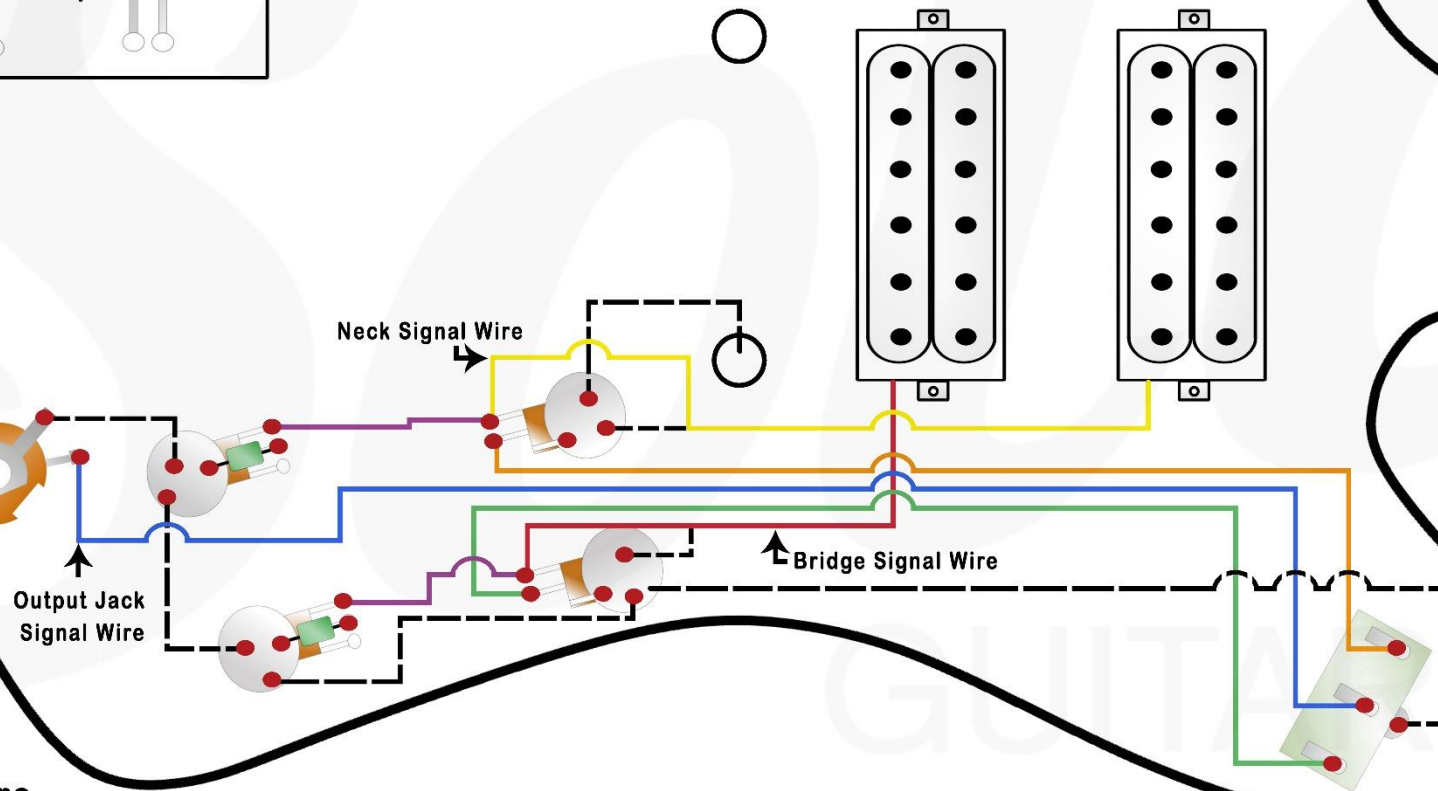
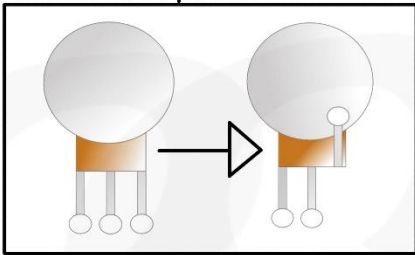


SOLO FBK-1 Wiring Diagram

Grounding Pots

Bend one outer peg to the top of the pot. Then solder it in place.



■ ■ ■ Ground Wire

— Signal Wire

● Solder Points