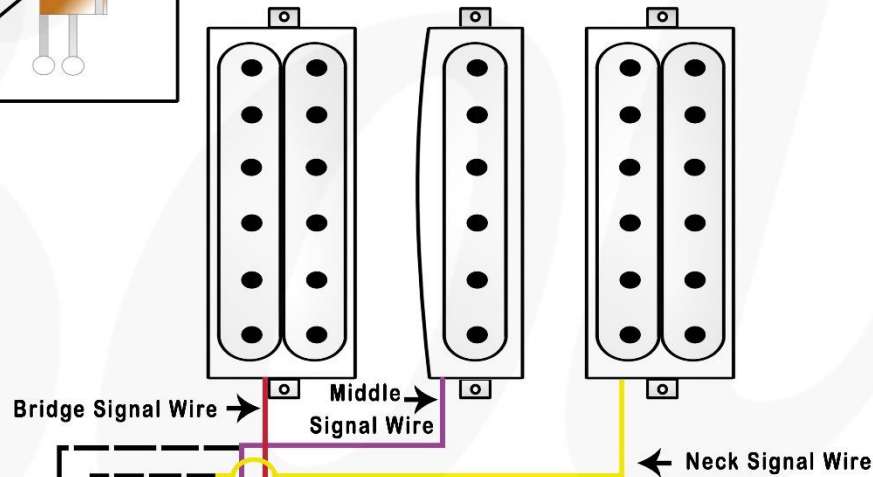
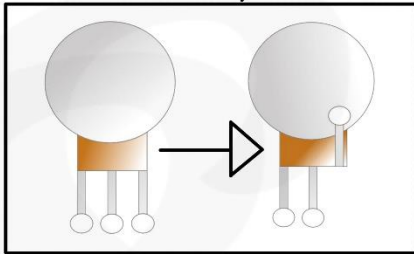


SOLO JEK-1 Wiring Diagram

Grounding Pots
Bend one outer peg to the top of the pot. Then solder it in place.



- ■ ■ Ground Wire
- Signal Wire
- Solder Points

Output Jack
Signal Wire