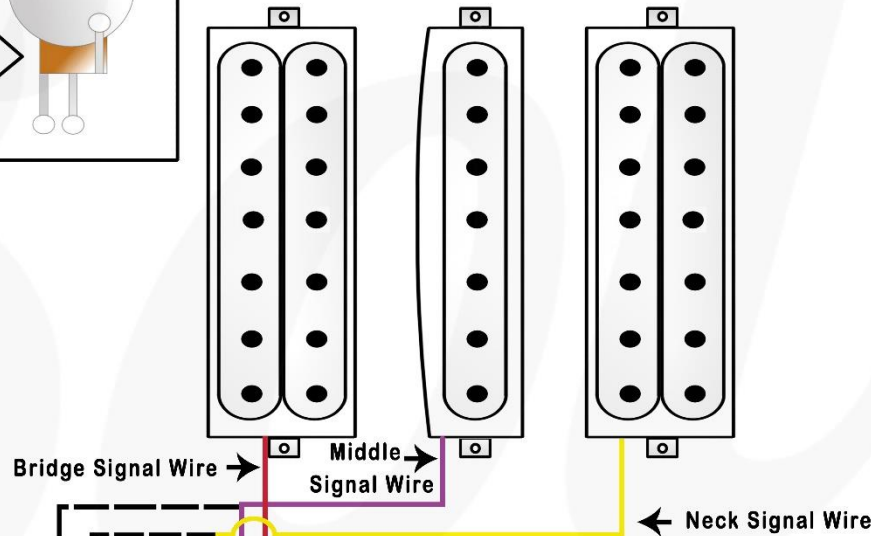
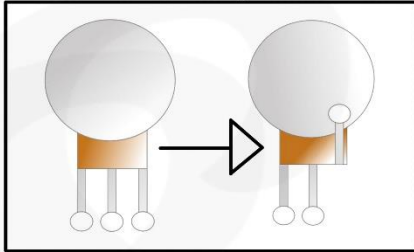


# SOLO JEK-7 Wiring Diagram

**Grounding Pots**  
Bend one outer peg to the top of the pot. Then solder it in place.



■ ■ ■ Ground Wire

— Signal Wire

● Solder Points

Output Jack  
Signal Wire